

# 20<sup>TH</sup> MADEIRA BRIDGE FESTIVAL

# 4

Editor Mark Horton  
Layout Ron Tacchi

# DAILY BULLETIN

## The Winners' Circle

This year's Open Champions are **Magnus Eidur Magnusson & Sveinn R Eiriksson**, who finished a mere 0.5 matchpoints (equivalent to 0.3% of a top) clear of **Gerbrand Hop & Mark Thiele**, who themselves were less than a top clear of **Sylvia & Franz Terraneo**, these three pairs finished well clear of the chasing pack.

If you want to see just how close it was, go to the website <http://www.bridge-madeira.com/> or directly

<http://www.abridgemadeira.com/ficheiros/s171109cl.htm>

[http://www.abridgemadeira.com/ficheiros/s171109cl\\_3.pdf](http://www.abridgemadeira.com/ficheiros/s171109cl_3.pdf)

[http://www.abridgemadeira.com/ficheiros/s171109p\\_3.pdf](http://www.abridgemadeira.com/ficheiros/s171109p_3.pdf)

Today sees the start of the Team Championship, the preferred pursuit of bridge purists, where the luck element plays a much smaller part.

“What I like at Madeira festival is the nice atmosphere. I have been coming for the last 6-7 years. Its nice meeting friends, who also come nearly every year. The playing area is very good. Hotel has large and nice rooms, a large Pool and also you can swim in the sea. Nearby are a lot of restaurants, where you can eat outside.

The Organizers listen to you if you have a problem and they try to solve any issues and they improve every year!”

Michael Gromoller

**Important Note: Please bring your Vouchers to all events**

Either you will be given vouchers you have ordered when you check in to the hotel or you may purchase them at the Welcome Desk. You can only access bridge and social events with your vouchers.

# Open Pairs Session 3



Ron Tacchi highlights some of the hands from the final session

With the tables being rearranged I was now watching Carlos Luiz and his partner Nuno Paz who at the start of the session were lying in 10<sup>th</sup> place. A good showing today and the odd error from those ahead could well mean a podium finish.



Board 1. Dealer North. None Vul.

|          |   |        |        |
|----------|---|--------|--------|
| ♠ 9      |   |        | ♠ K43  |
| ♥ QJ5    |   |        | ♥ A762 |
| ♦ AKJ6   |   |        | ♦ 98   |
| ♣ AKQJ2  |   |        | ♣ 9864 |
| ♠ Q107   | <div style="border: 1px solid black; background-color: #4CAF50; color: white; padding: 5px; display: inline-block;">                 N<br/>W     E<br/>S             </div> | ♠ K43  |        |
| ♥ K9     |   | ♥ A762 |        |
| ♦ Q75432 |   | ♦ 98   |        |
| ♣ 107    |   | ♣ 9864 |        |
| ♠ AJ8652 |   |        |        |
| ♥ 10843  |   |        |        |
| ♦ 10     |   |        |        |
| ♣ 53     |   |        |        |

| West | North      | East     | South       |
|------|------------|----------|-------------|
|      | <i>Paz</i> |          | <i>Luiz</i> |
| –    | 1♣         | Pass     | 1♠          |
| Pass | 2♦         | Pass     | 2♠          |
| Pass | 3NT        | All Pass |             |

East led the two of hearts (fourth best) and when West took the trick and continued the suit declarer was booked for two overtricks. West had to switch to a spade at trick two to hold declarer to his contract (or possibly just one overtrick) – not too difficult a play – North’s distribution is almost certainly 1345. If North has the spade king then you will not have given anything away, but if it is a small one then you should have two hearts and two spades. This was 85% on the first board.



Board 3. Dealer South. E/W Vul.

|  |   |   |
|--|---|---|
| ♠ A 10 9 5<br>♥ J 9 5 2<br>♦ 9 2<br>♣ 8 4 3  |  | ♠ 7 3 2<br>♥ K Q 7 4<br>♦ J 10 8 7 6<br>♣ 7 |
| ♠ K 8 4<br>♥ A 10 8 3<br>♦ 4 3<br>♣ A Q 10 2 |  | ♠ Q J 6<br>♥ 6<br>♦ A K Q 5<br>♣ K J 9 6 5  |

| West   | North      | East     | South       |
|--------|------------|----------|-------------|
| –      | <i>Paz</i> | –        | <i>Luiz</i> |
| –      | –          | –        | 1♣          |
| Double | Pass       | 1♦       | Pass        |
| 1♥     | Pass       | 2♥       | Double      |
| Pass   | 2♠         | 3♥       | Pass        |
| Pass   | Double     | All Pass |             |

You could offer me large sums of money but I would still not double on the West cards (I learnt bridge in a different century). And if I had, you would have to offer me an even larger sum of money to bid over the ‘unexpected’ response of One Diamond. East seemed to assume West’s hand was stronger than a minimum and continued to the three-level whereupon North wielded the axe. The defence was excellent, perhaps declarer may have found a better line. North led a small club to the jack and queen. Declarer continued with the ace of clubs and then ruffed one in dummy. She then tried a spade towards the king which lost to the ace. North now switched to a diamond won by South who now tried a small trump and North’s nine forced a high honour from dummy. The other heart honour exposed the bad break and dummy exited with a diamond to South who played a another. Declarer tried a ruff but this was overruffed by North who exoted with his last trump into declarer’s ace who now held only losing cards in her hand and so 800 was written in the out column and a plum zero.

Board 4. Dealer West. All Vul.

|   |   |  |
|---|---|--|
| ♠ 10 9 6 5<br>♥ A J 9 8 5<br>♦ 4 3<br>♣ 7 2 |  | ♠ A 3<br>♥ K 6<br>♦ Q 10 9 5<br>♣ A 10 9 5 3 |
| ♠ K J 4<br>♥ Q 10 2<br>♦ A K J 6 2<br>♣ 6 4 |  | ♠ Q 8 7 2<br>♥ 7 4 3<br>♦ 8 7<br>♣ K Q J 8   |

|             |              |             |              |
|-------------|--------------|-------------|--------------|
| <b>West</b> | <b>North</b> | <b>East</b> | <b>South</b> |
|             | <i>Paz</i>   |             | <i>Luiz</i>  |
| Pass        | 1♦           | 2♣          | Pass         |
| Pass        | Double       | All Pass    |              |

|         |         |          |
|---------|---------|----------|
|         | ♠ KJ4   |          |
|         | ♥ Q102  |          |
|         | ♦ AKJ62 |          |
|         | ♣ 64    |          |
| ♠ 10965 |         | ♠ A3     |
| ♥ AJ985 |         | ♥ K6     |
| ♦ 43    |         | ♦ Q1095  |
| ♣ 72    |         | ♣ A10953 |
|         |         |          |
|         | ♠ Q872  |          |
|         | ♥ 743   |          |
|         | ♦ 87    |          |
|         | ♣ KQJ8  |          |

Carlos and Nuno were now into the swing of doubling opponents as South converted North's takeout double into a penalty one. A diamond from South hit the green baize and was taken by the king – a trump was returned to the nine and jack. South persisted with the trumps leading the king (retaining a tenace over declarer's trump holding.) which declarer took with his ace. The king and ace of hearts were cashed followed by a diamond from dummy taken by North's ace. The queen of hearts was the next card, declarer electing to discard his losing spade. North exited with a spade to the ace who tried to cash the queen of diamonds but South ruffed in and took his top trump before exiting with a spade allowing North to take the ten of diamonds with his jack at trick thirteen. So another 500 and only 3% away from another complete top.

Board 5. Dealer North. N/S Vul.

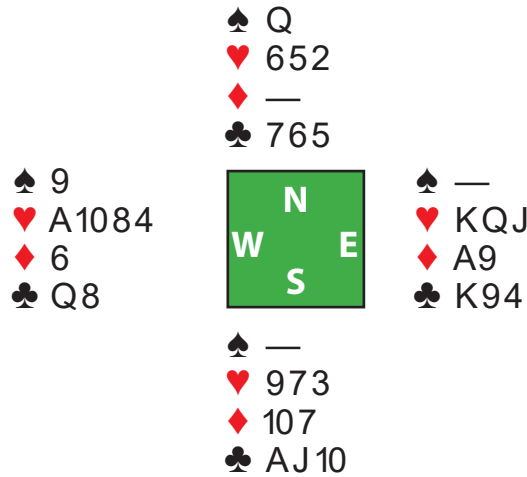
|         |         |        |
|---------|---------|--------|
|         | ♠ Q852  |        |
|         | ♥ 652   |        |
|         | ♦ 52    |        |
|         | ♣ 7652  |        |
| ♠ AK96  |         | ♠ 43   |
| ♥ A1084 |         | ♥ KQJ  |
| ♦ K64   |         | ♦ AJ98 |
| ♣ Q8    |         | ♣ K943 |
|         |         |        |
|         | ♠ J107  |        |
|         | ♥ 973   |        |
|         | ♦ Q1073 |        |
|         | ♣ AJ10  |        |

|             |              |             |              |
|-------------|--------------|-------------|--------------|
| <b>West</b> | <b>North</b> | <b>East</b> | <b>South</b> |
|             | <i>Paz</i>   |             | <i>Luiz</i>  |
| –           | Pass         | 1NT         | Pass         |
| 2♦*         | Pass         | 2NT*        | Pass         |
| 3NT         | Pass         |             |              |

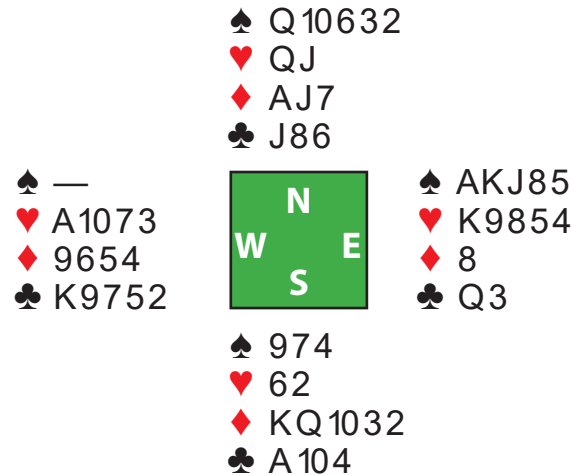
The defence got off to a good start when the jack of spades appeared and declarer played sensibly and carefully to take nine tricks and 71%.

If you divine that South has the ace of clubs a very pretty ending is possible.



Now declarer cashes three rounds of hearts and leads a small club towards dummy. If South takes his ace then declarer has the rest, so he plays low and then dummy's heart causes severe discomfiture to South – if he discards a diamond then both diamonds are good and if he discards a club he is thrown in with a club to lead into the diamond tenace.


Board 6. Dealer East. E/W Vul.



| West | North      | East | South       |
|------|------------|------|-------------|
| —    | <i>Paz</i> | —    | <i>Luiz</i> |
| 1NT* | Pass       | 1♠   | Pass        |
| 4♥   | All Pass   | 2♥   | Pass        |


Declarer played steadily for his contract which looked a good score as with careful play there is an overtrick available, but 40% of the field failed to bid the game. This meant a score of only 37%

Board 8. Dealer West. None Vul.

|                                     |   |                                    |   |
|-------------------------------------|---|------------------------------------|---|
| ♠ AK107<br>♥ K1064<br>♦ Q654<br>♣ Q |  | ♠ 62<br>♥ AQ93<br>♦ AJ103<br>♣ 874 | ♠ J8<br>♥ J75<br>♦ 72<br>♣ AKJ965<br>♠ Q9543<br>♥ 82<br>♦ K98<br>♣ 1032 |
| <b>West</b>                         | <b>North</b>  | <b>East</b>                        | <b>South</b>  |
| <i>Skaj</i>                         | <i>Paz</i>  | <i>Bertheau</i>                    | <i>Luiz</i>   |
| 1♦                                  | 2♣  | Double                             | 3♣  |
| 4♣                                  | Pass  | 4♥                                 | All Pass  |

A club was led to North's ace and he returned the seven of diamonds. World Champion Peter Bertheau thought long and hard before playing the ace and then ruffing his losing clubs in dummy to just make his contract. By playing the ace he retained various chances of making an overtrick but had the diamond been singleton he would have given up all hope of eleven tricks. The more cautious approach was worth 43%.

Board 9. Dealer North. E/W Vul.

|                                     |   |                                     |   |
|-------------------------------------|---|-------------------------------------|---|
| ♠ 10<br>♥ K865<br>♦ 107<br>♣ AJ9863 |  | ♠ J6<br>♥ 10972<br>♦ AKQJ842<br>♣ — | ♠ Q853<br>♥ J4<br>♦ 53<br>♣ KQ1042<br>♠ AK9742<br>♥ AQ3<br>♦ 96<br>♣ 75 |
| <b>West</b>                         | <b>North</b>  | <b>East</b>                         | <b>South</b>  |
| —                                   | <i>Paz</i>  | 1♦                                  | <i>Luiz</i>   |
| Double                              | Pass  | 4♦                                  | 1♠  |
|                                     | 3♠  |                                     | All Pass  |

It would look as though it was a good score for N/S when E/W played in Four Diamonds rather than the heart game – bizarrely not one pair played in Four Hearts – some played in five but mostly N/S sacrificed in spades at the five-level for scores of 300 and more. So only 16%.

It should fail by three tricks, a feat accomplished by Jan van Cleeff and his partner. He led

# Madeira Bridge Festival

the ten of diamonds which held the trick with partner playing the deuce. Obviously a clear signal for a club. Jan showed absolute faith in partner and led the nine of clubs for partner to ruff. Notice if he had cashed the ace before giving partner a ruff the club suit will provide discards for the heart losers.

Board 12. Dealer West. N/S Vul.

|         |  |          |         |
|---------|--|----------|---------|
|         |  | ♠ K10874 |         |
|         |  | ♥ K8     |         |
|         |  | ♦ QJ6    |         |
|         |  | ♣ 1098   |         |
| ♠ A9    |  |          | ♠ J5    |
| ♥ A5432 |  |          | ♥ QJ976 |
| ♦ 10983 |  |          | ♦ K5    |
| ♣ K5    |  |          | ♣ A743  |
|         |  |          |         |
|         |  | ♠ Q632   |         |
|         |  | ♥ 10     |         |
|         |  | ♦ A742   |         |
|         |  | ♣ QJ62   |         |

| West | North      | East | South       |
|------|------------|------|-------------|
|      | <i>Paz</i> |      | <i>Luiz</i> |
| 1♥   | Pass       | 2NT* | Pass        |
| 3♣*  | Pass       | 4♥   | All Pass    |

3♣ minimum

North commenced hostilities with the ten of clubs to dummy's ace. A losing heart finesse came next with North continuing with queen of diamonds to the king and ace. South was now at the crossroads, a spade and the contract fails, anything else the contract makes. As we can see all four hands we can find all sorts of reasons to lead the spade and I believe it was the right thing to do. I do not see any possible downside but South continued with the queen of clubs and only 16%

At the end of the session Carlos and Nuno had scored 55.92% - not enough to move them up the rankings. The bridge gods had not been smiling on them.

## VIDAMAR

The Vidamar Hotel has joined us in our anniversary celebrations by giving every player a discount card to be used in the Hotel restaurants

-20%  
DISCOUNT

MENU & DRINKS LIST

MAMMA MIA  
KOI SUSHI  
CASA DAS ESPETADAS

OCEAN BUFFET  
€25.00  
~~€25.00~~  
€20.00  
INCLUDES DRINKS

DINE  
AROUND

VIDAMAR  
RESORT HOTEL  
MADEIRA



## The Madeira Bridge Tip – Don't Support Partner

by Jan van Cleeff

Bridge theory is always on the move. In the new era computer simulations prove that under the circumstances leading from doubletons against 1NT-3NT are quite often deemed to be more successful than to lead from your longest and strongest for instance.

Board 5 of Session I of the 2017 Madeira Open Pairs added a new thought to bridge evolution: never support partner. Sitting South I look at:

|             |              |             |              |
|-------------|--------------|-------------|--------------|
| ♠ J8        |              |             |              |
| ♥ 10953     |              |             |              |
| ♦ KJ864     |              |             |              |
| ♣ AQ        |              |             |              |
| <b>West</b> | <b>North</b> | <b>East</b> | <b>South</b> |
| –           | 1♠           | Pass        | 1NT*         |
| Pass        | 2♥           | Pass        | ?            |

1NT    forcing one round

In teams 4♥ is pretty standard and in pairs 3♥ seems enough. In Madeira however I gave 2NT a shot: 11 HCP and zillions of stoppers in the unbid suits. The bidding continues with 3♣ from North. Again a no brainer: in view of my triple diamond stopper 3NT is almost automatic. When the bid was followed by three passes West kicked off with a low heart (!).

Board 5. Dealer North. N/S Vul.

|        |   |          |  |
|--------|---|----------|--|
|        | ♠ AQ1072  |          |  |
|        | ♥ KQJ6  |          |  |
|        | ♦ —   |          |  |
|        | ♣ 10542   |          |  |
| ♠ 54   | <div style="border: 1px solid black; padding: 5px; display: inline-block;">                 N<br/>W    E<br/>S             </div> | ♠ K963   |  |
| ♥ A872 |   | ♥ 4      |  |
| ♦ Q97  |   | ♦ A10532 |  |
| ♣ K876 |   | ♣ J93    |  |
|        | ♠ J8  |          |  |
|        | ♥ 10953   |          |  |
|        | ♦ KJ864   |          |  |
|        | ♣ AQ  |          |  |

You play the king in dummy and notice that East follows suit. That is somewhat disappointing because after carefully avoiding the 4-4 fit in hearts you were hoping for a 5-0 heart break, especially after the lead.

You continue the ♥Q, taken by West. East pitches the ♦2. West switches to ♦7 won by the ace of East. In dummy a club disappears. This discard inspired East to table the ♣J to queen and king. West continues the comedy of errors by falling back to diamonds, in fact the queen. You win in your hand and advance the ♠J. When East smoothly ducked he later was squeezed in diamonds and spades. 3NT+1 added a new and fine piece of bidding theory to the good old game of mind: **never ever support partner.**



## ***PROGRAM FOR TODAY - Friday 10th NOV 2017***

|                                  |       |   |
|----------------------------------|-------|---|
| FRIDAY 10 <sup>th</sup> November | 9:30  | Coach leaves the Hotel to your chosen half-day tour |
|                                  | 10.30 | 'Mark Your Card' with Mark Horton                   |
|                                  | 20:45 | <b>Closing time for Teams Tournament Entries</b>    |
|                                  | 21.00 | Open Teams Tournament (1 <sup>st</sup> Session)     |

## ***PROGRAM FOR TOMORROW - Saturday 11th NOV 2017***

|                                    |       |   |
|------------------------------------|-------|---|
| SATURDAY 11 <sup>th</sup> November | 10.30 | 'Mark Your Card' with Mark Horton               |
|                                    | 15:00 | Open Teams Tournament (2 <sup>nd</sup> Session) |
|                                    | 21:00 | Open Teams Tournament (3 <sup>rd</sup> Session) |

**NOTE: Please arrive 30 minutes before the start to guarantee your place**

Every morning Mark Horton will conduct his 'Mark Your Card' to discuss the previous day's hands in Selvagens 1

### **Important Note: Please bring your Vouchers to all events**

Included in your vouchers is one from the Vidamar Hotel giving you a 20% discount on restaurant prices

# The Last Post

Mark Horton



The Last Post is a short melody used in Commonwealth nations military funerals and commemoration ceremonies for those who fell in the war. “The Last Post” is also the name of a Robert Graves poem describing a soldier’s funeral during World War One. It was originally a clarion of the British Army to signal the end of the day in camps. The BBC recently used the title for a drama series set in the backdrop of the Aden Emergency and a unit of the Royal Military Police depicting the conflict and the relationships of the men and their families together and with the local population.

So, in the light of that, here is my last report on the Pairs Championship.

Board 3. Dealer South. E/W Vul.


|         |  |          |  |
|---------|--|----------|--|
| ♠ A1095 |  |          |  |
| ♥ J952  |  |          |  |
| ♦ 92    |  |          |  |
| ♣ 843   |  |          |  |
| ♠ K84   | <div style="border: 1px solid green; padding: 5px; display: inline-block;">                 N<br/>W   S   E             </div> | ♠ 732    |  |
| ♥ A1083 |  | ♥ KQ74   |  |
| ♦ 43    |  | ♦ J10876 |  |
| ♣ AQ102 |  | ♣ 7      |  |
| ♠ QJ6   |  |          |  |
| ♥ 6     |  |          |  |
| ♦ AKQ5  |  |          |  |
| ♣ KJ965 |  |          |  |

One table produced this lengthy auction:

| West   | North    | East | South  |
|--------|----------|------|--------|
| –      | –        | Pass | 1♣     |
| Double | Pass     | 1♦   | Pass   |
| Pass   | 1♥       | 2♦   | Double |
| Pass   | 3♣       | Pass | Pass   |
| Double | All Pass |      |        |


The less said about West’s initial double the better. East put his faith in his long suit, but 1♥ is a better bid. North’s 1♥ was predicated on the belief that you don’t fly across the world to defend contracts at the 1-level and South’s double was for penalties. Holding an ace, North was tempted to pass, hoping for the ‘magic 200’, but it seemed safer to bid 3♣. West thought otherwise, but was quickly disabused, as 3♣ is impossible to defeat. Perhaps it was perhaps poetic justice to score only 6/162 after the initial double.

Board 6. Dealer East. E/W Vul.

|                                     |   |                                     |                                   |
|-------------------------------------|---|-------------------------------------|-----------------------------------|
| ♠ —<br>♥ A1073<br>♦ 9654<br>♣ K9752 |  | ♠ Q10632<br>♥ QJ<br>♦ AJ7<br>♣ J86  | ♠ AKJ85<br>♥ K9854<br>♦ 8<br>♣ Q3 |
|                                     |   | ♠ 974<br>♥ 62<br>♦ KQ1032<br>♣ A104 |                                   |

The only question here is what should happen if the bidding goes 1♠-1NT-2♥? Put me down for a raise to 3♥, which should see East go on to game. Stopping in 2♥ and collecting eleven tricks was worth only 71/97 but achieving the game bonus resulted in 23/145.

Board 11. Dealer South. None Vul.

|                                     |   |                                    |                                    |
|-------------------------------------|---|------------------------------------|------------------------------------|
| ♠ 83<br>♥ KJ1097<br>♦ Q4<br>♣ J1074 |  | ♠ A76<br>♥ 85<br>♦ AK87532<br>♣ 8  | ♠ Q10942<br>♥ Q642<br>♦ 6<br>♣ A62 |
|                                     |   | ♠ KJ5<br>♥ A3<br>♦ J109<br>♣ KQ953 |                                    |

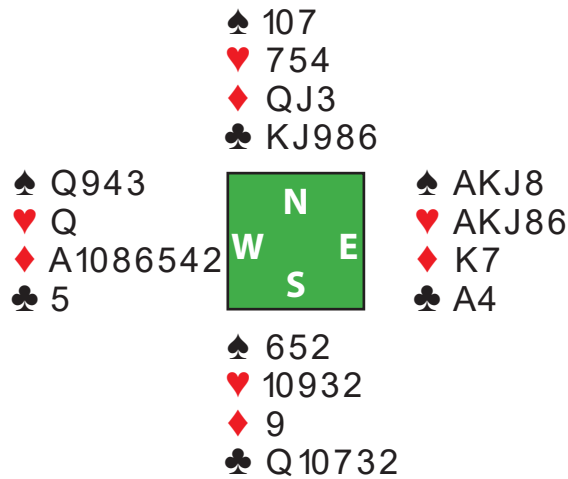
This deal is all about overtricks - I'll bet no-one has ever written about those before when discussing a match-pointed event.

If you are in 3NT and West leads the jack of hearts, sooner or later you are going to have to decide about the spade finesse.

10 tricks were worth 74/94.

11 tricks collected 98/70 and those lucky enough to avoid a heart lead scored 131/37 for +490. A number of pairs attempted 6♦ - the lucky ones who avoided a heart lead amassing 157/11.

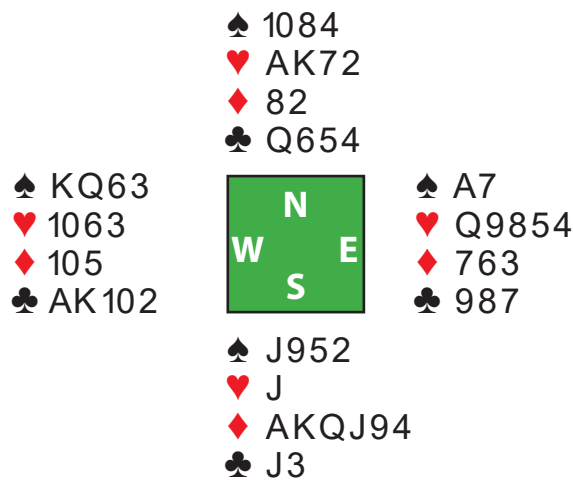
Board 19. Dealer South. E/W Vul.



At one table North opened 3♣ and when East doubled South bid 4♣. West tried 4♦ and East bid 4♥, which ended the auction and resulted in only 22/146.

At another table it was South who started with 3♣! However it did not stop E/W bidding a slam. Reaching one of the making grand slams was 13/155 while at the other end of the scale a couple of pairs did not manage to reach game with the E/W cards.

Board 24. Dealer West. None Vul.



When West opened 1♦ North joined in with 1♥ and East bid 1NT. South doubled that and when East understandably did not appreciate that his best shot was to run to 2♥, and the defenders cashed the first eight tricks for 160/8.

Board 26. Dealer East. All Vul.

|   |        |         |   |   |   |  |   |  |
|---|--------|---------|---|---|---|--|---|--|
| ♠ 3   | ♠ A52  | ♠ K1076 |   |   |   |  |   |  |
| ♥ 862   | ♥ KQ74 | ♥ J1095 |   |   |   |  |   |  |
| ♦ J52   | ♦ AK87 | ♦ 1093  |   |   |   |  |   |  |
| ♣ AKQJ109   | ♣ 54   | ♣ 87    |   |   |   |  |   |  |
| <table style="border: 1px solid black; width: 80px; height: 60px; margin: 0 auto; text-align: center; border-collapse: collapse;"> <tr><td style="padding: 5px;">W</td><td style="padding: 5px;">N</td><td style="padding: 5px;">E</td></tr> <tr><td style="padding: 5px;"></td><td style="padding: 5px;">S</td><td style="padding: 5px;"></td></tr> </table> |        |         | W | N | E |  | S |  |
| W   | N      | E       |   |   |   |  |   |  |
|   | S      |         |   |   |   |  |   |  |
| ♠ QJ984<br>♥ A3<br>♦ Q64<br>♣ 632   |        |         |   |   |   |  |   |  |

This deal caught out several declarers. After West opens 3♣ North doubles and South ends up in 4♠.

West starts with three top clubs and the first test is to ruff with dummy's ace of spades. Then you play a spade from dummy and if you put in the eight you will soon be able to claim. However, that risks losing to a singleton ten with West, so you should play the queen, cash the ace of hearts, cross to dummy with a heart and play a spade to the eight. You go to dummy with a diamond, cash the ♥Q pitching a diamond, ruff a heart, return to dummy with a diamond and you have executed a trump coup, which is not a bad note to end on.

For the record, 18 managed to make 4♠ (146/22) while 42 went down (43/125).

### A small divertissement from Mr Burn.

Board 28. Dealer West. N/S Vul.

|   |            |          |   |   |   |  |   |  |
|---|------------|----------|---|---|---|--|---|--|
| ♠ 65  | ♠ KQ109742 | ♠ 8      |   |   |   |  |   |  |
| ♥ J94   | ♥ K10      | ♥ AQ6532 |   |   |   |  |   |  |
| ♦ J106  | ♦ A932     | ♦ K84    |   |   |   |  |   |  |
| ♣ K9874   | ♣ —        | ♣ A32    |   |   |   |  |   |  |
| <table style="border: 1px solid black; width: 80px; height: 60px; margin: 0 auto; text-align: center; border-collapse: collapse;"> <tr><td style="padding: 5px;">W</td><td style="padding: 5px;">N</td><td style="padding: 5px;">E</td></tr> <tr><td style="padding: 5px;"></td><td style="padding: 5px;">S</td><td style="padding: 5px;"></td></tr> </table> |            |          | W | N | E |  | S |  |
| W   | N          | E        |   |   |   |  |   |  |
|   | S          |          |   |   |   |  |   |  |
| ♠ AJ3<br>♥ 87<br>♦ Q75<br>♣ QJ1065  |            |          |   |   |   |  |   |  |

After a Pass from West, Burn opened with One Spade and East overcalled with Two Hearts. His partner now bid Three Hearts – as they were playing four-card majors this showed four-card support and an excellent hand – perhaps a mild exaggeration, but Burn looked at his four-loser hand and bid the slam in spades. The sight of dummy did not diffuse a warm glow throughout his body, however the lead of the ace of clubs did – amazingly a no-hope slam rolled home for an unsurprising top.

# OUR SPONSORS



Secretaria Regional  
de Educação  
Direção Regional de Juventude e Desporto

Direção Regional de  
Juventude e Desporto



Camara Municipal do  
Funchal



Madeira Promotion  
Bureau



Bank BPI



MC Computadores



NOS



Inter Tours



Vidamar Resorts



Associação de Bridge  
da Madeira

The Festival Team would like to take this opportunity to thank all our sponsors for their kind and invaluable support over the many years they have helped this festival become the great success it is.