



24<sup>th</sup> Madeira International Bridge Open

1<sup>st</sup>-7<sup>th</sup> November 2021

Wednesday 3<sup>rd</sup> November

**Bulletin 2**

## The Open Pairs Is Born Again

157 pairs contested the first session of The Open Pairs, more than three times the entries from last year, yes the Madeira International Bridge Open is back and flourishing. The atmosphere in the playing area was palpably excited as players got together, probably for the first time in a long while, to play face to face bridge in this idyllic setting. After the first session **Florian Weiss & Louise Selway** headed the field, in second position **Arjen Salari & Hans van Ommeren** and the third placed pair are **Henrik Wegnelius & Bjorn Wenneberg** while local hero **Carlos Luiz** and his Portuguese partner **Nuno Paz** were just behind them in fourth spot.

### Session 2 Starting Positions

*Your starting positions will be published by lists on the wall. Two versions will be available, the first by name, the second by starting position. Please come a few minutes early so as to find your new seating assignment.*

## The Warm-Up Pairs

The Warm-Up Pairs were held Monday evening where 88 Pairs came together for a fun evening of bridge played in a pleasant atmosphere. There was the usual relaxed ambience as many of the participants availed themselves of the bar service at the table. At the end of the evening in first place was **Christian Lahrman & Daniel Brandgaard** and in second came **Nick Nautilus & Frederic Boldt** whilst the third place was filled by **Jon Ingthorsson & Kristinn Olafsson**.



Today is the Traditional Madeiran Dinner at O Lagar. The coach will leave the VidaMar hotel at 20.15. You will need your badge to get on the bus.

If you have not yet bought your ticket you can do so at the Welcome Desk.



### Keeping You Safe

Masks must be worn in all indoor public spaces, including shops, hotel foyers and so on except while eating and drinking. Masks are not required out of doors. Both rules and advice are constantly changing. We will try and keep you up to date but you can visit the Regional Government's Official Page at: [http://www.visitmadeira.pt/en-gb/useful-info/corona-virus-\(covid-19\)/information-to-visitors-\(covid-19\)](http://www.visitmadeira.pt/en-gb/useful-info/corona-virus-(covid-19)/information-to-visitors-(covid-19)).

The Bridge Madeira website also has Covid information available.

To help protect everyone we ask you to be vigilant in following all the rules that are in force, especially those requiring you to wear masks.

To further protect you in all competitions there will be no sharing of boards. Each table will have its own set; where there is a stationary pair only they should handle the boards.



# XXIV Madeira Bridge Festival



## MAIN PROGRAMME 3rd – 7th November 2021

Location - Congress Room + Selvagens 1-2-3

WEDNESDAY 3rd November	16.00	Open Pairs Tournament (2nd Session)
THURSDAY 4th November	16.00 20.00	Open Pairs Tournament (3rd Session) Final Results
FRIDAY 5th November	18.00 20.00 20.30	Deadline for Teams Tournament Entries Team Assignments Open Teams Tournament (1st Session)
SATURDAY 6th November	11.00 13.15 14.30	Open Teams Tournament (2nd Session) Lunch Break (light lunch included) Open Teams Tournament (3rd Session)
SUNDAY 7th November	14.30 19.00	Open Teams Tournament (4th Session) Final Results

NOTE: Please arrive 30 minutes before the start to guarantee your place.

	<p>The TAPAS Y COPAS restaurant (on the opposite side of the road to the hotel) is giving a 10% discount to all participants in the Madeira bridge Festival. To claim this just show your badge before you order.</p> <p>And as a second generous gesture they are offering the winners of the Open Pairs a €50 voucher.</p>	
---	--	---

José Curado explains how to verify the deals using Hans van Staveren's procedure.

To summarise, if someone wants to check that there is no hanky-panky going on with the procedure they should:

1. Download the “present key” before 19:30 on Monday 1st November 2021 at <https://www.bridge-madeira.com/hand-generator-security-keys>
2. Check the winning Euromillions numbers for Friday 29th October 2021 (the “future key”).
3. Download the “past key” which will be published after the event (in Bulletin 7 and on the Security Key page)
4. Run the program (download from <http://www.xs4all.nl/~sater/SquareDeal.zip>) using the 3-part key according to the instructions: the “present” and “past” files and the 5 numbers and 2 stars + biggest prize value in Portugal from the lottery results, comma separated (the program will prompt you). Example of format: 10,15,18,32,49+3,9 E 155.676,29
5. Compare the hands generated this way with the hands actually played.

This is fully explained on the website at:

<https://www.bridge-madeira.com/hand-generator-security-keys/>



# XXIV Madeira Bridge Festival



The **Welcome Desk** in the lobby of VidaMar Tower 2 will be open at the following times:

If you need help or information outside these times, please ask at the hotel's Reception Desk or speak to one of the Directors.

Wednesday 3rd November	15.00 – 16.00
Thursday 4th November	15.00 – 16.00
Friday 5th November	18.00 – 20.30
Saturday 6th November	Closed
Sunday 7th November	13.00 – 14.30

## SIDE EVENTS

<b>28th October – 8th November 2021</b>	Congress Room
Monday 8th Cool-down Pairs (€10)	20.30

### COLLECTION OF BADGES/ENTRIES

If you have booked in advance, you can collect your Identity Badge from the Welcome Desk.

You must bring your Identity Badge to all events, including Social events.

You will need to keep a note of your Confirmation number (the number is in the format 123-4567). If you cannot print the confirmation email, please take a photograph of it on your mobile phone and bring the phone with you to the Welcome Desk.

If you want to enter on the day, you will need to pay at the Welcome Desk, where you will be issued with an Identity Badge.

We can issue Identity Badges only to the person named on the badge.

Every morning at 10.30 Mark Horton will deliver his "Mark Your Card" discussion in Selvagens 1 on the interesting deals of the previous day.





# XXIV Madeira Bridge Festival



## SOCIAL PROGRAMME

- WEDNESDAY 3rd November 20.45 - Traditional Dinner.  
Traditional Madeiran dinner of espetada with folk dancing and music  
COACH LEAVES THE HOTEL VIDAMAR, OUTSIDE THE LOBBY  
TOWER 2, at 20.15 (it takes 15 minutes). Return to the hotel at 23.30.
- FRIDAY 5th November Coach leaves the Hotel for your chosen excursion option.  
Details of excursions can be found later in this bulletin.  
Further information is available at the Welcome Desk.
- SUNDAY 7th November 20.30 Closing Dinner and trophy presentation in the  
Ocean Room – VidaMar Resort Madeira, 2nd floor.

Any of the Social Programme events may be purchased at the Welcome Desk

## ENTRY FEES

Pairs	€ 170.00
Teams	€ 160.00
Pairs + Team	€ 270.00
Pairs + Teams + Traditional Dinner	€ 295.00
Pairs + Teams + Closing Dinner	€ 305.00
Pairs + Teams + Traditional + Closing Dinner	€ 315.00
Typical Dinner	€ 25.00
Friday Excursion	€ 25.00
Saturday Lunch (non-players)	€ 25.00
Closing Dinner	€ 40.00

All the results and the ongoing program of play are available on the website: [www.bridge-madeira.com](http://www.bridge-madeira.com). You can use the QR code from your phone or tablet.





## Optional Excursions Friday 5th November

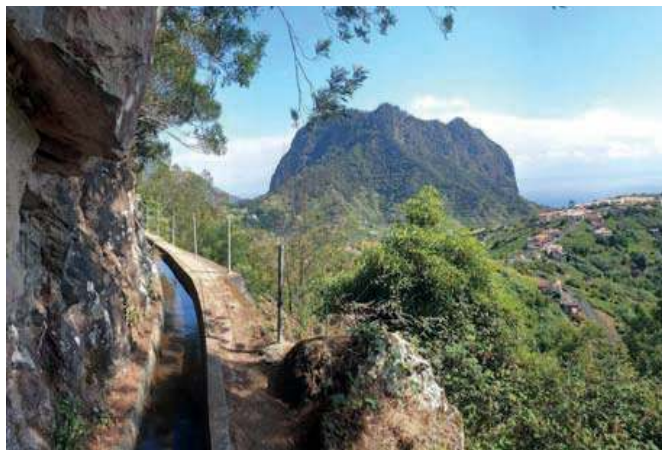
**Option A: The East** (full day, lunch included)  
coach leaves hotel 09.30



The coach leaves the hotel at 9:30 for the drive up to Pico do Areeiro, Madeira's third-highest peak (1818m), from which you may enjoy the breathtaking views. From the mountain head down to Ribeiro Frio to admire the famous laurisilva forest (UNESCO World Heritage site), with an optional short levada walk to the Balcões viewpoint (level, easy, ≈ 30 minutes).

The next stop is Santana, with its traditional thatched houses and its vineyards. After lunch at the Quinta do Furão, drive to Ponta de São Lourenço, the far eastern headland, which boasts a wonderful combination of volcanic rocks, blue sea and nature. You will have time to take photographs before heading back to the hotel.

**Option B: Levada Walk** (½ day, lunch included)  
coach leaves hotel 09.45



The coach leaves the hotel at 9.45 for a relaxing, easy 7km half-day walk along one of Madeira's famed levadas.

The walk starts at Referta, on the north-eastern side of the island, and leads walkers on an exploration of some of the native fauna and flora of Madeira and its abundant and varied fruit trees. In the first part of the walk, you will be able to admire the imposing volcanic outcrop of Penha de Águia and enjoy the agricultural terraces cultivated by local residents.

Lunch at the Quinta do Furão before returning to the hotel.

*Please bring good walking shoes or boots, a warm coat (in case of low temperatures in the mountains) and a bottle of water. Grade: easy; Distance: 7 km; Duration: approximately 2¾ hours.*

**Option C: Catamaran** (limited availability)  
coach leaves hotel 10.00



A relaxing trip along the south coast of Madeira, with a good chance of spotting whales and dolphins in all their magnificence and in their natural habitat. (3 hours)





## Warm Me Up, Cool Me Down

Mark Horton

This year's Warm-Up Pairs attracted a splendid entry and the players were rewarded (perhaps that should that be confronted!) by a challenging set of deals:

### Board 10. Dealer East. All Vul.

♠ AQ94 ♥ J52 ♦ 1065 ♣ 1065	<table border="1" style="margin: auto;"> <tr><td></td><td>N</td><td></td></tr> <tr><td>W</td><td></td><td>E</td></tr> <tr><td></td><td>S</td><td></td></tr> </table>		N		W		E		S		♠ J8 ♥ Q94 ♦ 97 ♣ KJ9872	♠ 107653 ♥ A ♦ AQ865 ♣ Q3
	N											
W		E										
	S											

West	North	East	South
-	-	Pass	1♠
2♥	2♠	3♥	Double*
4♥	4♠	Pass	Pass
Double	All Pass		

When the opponents take away your bidding space a double can be used as a game-try and that was the rationale behind South's choice over 3♥. North's 4♠ was a misjudgment, but it is a type of trap that is easy to fall into.

Although West did not find the most telling defence of starting with two rounds of clubs which will see the ♠K score a trick, declarer could not avoid the loss of two clubs and two diamonds for -200 and a miserable 14/72. Defending 4♥ gets you 53/33.

### Board 11. Dealer South. None Vul.

♠ 7654 ♥ 86 ♦ J94 ♣ J652	<table border="1" style="margin: auto;"> <tr><td></td><td>N</td><td></td></tr> <tr><td>W</td><td></td><td>E</td></tr> <tr><td></td><td>S</td><td></td></tr> </table>		N		W		E		S		♠ 2 ♥ AKQ974 ♦ K82 ♣ 1084	♠ KQ8 ♥ J10 ♦ Q10653 ♣ K93
	N											
W		E										
	S											

West	North	East	South
-	-	-	1♦
1♠	Pass	3♥*	Pass
4♥	All Pass		
3♥	Strong		

West has great controls, but poor hearts. Nevertheless, it is probably correct to rebid 4♣ and if East then bids 4♦ West should appreciate that slam is a possibility.

Notice that if South does not open the bidding life should be easier for E/W regardless of West's initial action. For example after 1♠-2♥-3♥ East continues with 4♦ and West is worth 4♠ which should see 6♥ reached in comfort.

Remarkably not a single pair went beyond 4♥. Those N/S pairs who saw their opponents take the 13 tricks that were available scored only 19/67.

### Board 17. Dealer North. None Vul.

♠ — ♥ AQ9864 ♦ 4 ♣ KQJ985	<table border="1" style="margin: auto;"> <tr><td></td><td>N</td><td></td></tr> <tr><td>W</td><td></td><td>E</td></tr> <tr><td></td><td>S</td><td></td></tr> </table>		N		W		E		S		♠ 10864 ♥ J5 ♦ A952 ♣ A32	♠ KQ53 ♥ 3 ♦ KQJ763 ♣ 76
	N											
W		E										
	S											

West	North	East	South
-	Pass	Pass	1♦
1♥	1♠	2♥	2♠
4♥	Double	Pass	4♠
5♥	Double	All Pass	

North's first double was reasonable, but it is much better to pass over 5♥, leaving the next decision to partner. If South then elects to pass -450 would be worth exactly average, 43/43. As the cards lie declarer can score 12 tricks in hearts by finessing the nine, quite important if the contract is 6♥ redoubled which happened at one table, N/S collecting 86/0 when declarer missed the winning line. -650 was 28/58.



# XXIV Madeira Bridge Festival



## Board 19. Dealer South. E/W Vul.

♠ AK63 ♥ 9763 ♦ 5 ♣ 8532	<div style="border: 1px solid black; padding: 5px; width: 60px; margin: 0 auto;">                     N W     E S                 </div>	♠ Q1074 ♥ 82 ♦ 10873 ♣ 1076	♠ 5 ♥ AQJ54 ♦ KQJ96 ♣ KJ
-----------------------------------	--	--------------------------------------	-----------------------------------

West	North	East	South
-	-	-	1♥
Double	3♥	Pass	4♥
All Pass			

West led the ♦A and switched to a spade, declarer winning in dummy and taking the losing heart finesse. A second spade saw declarer win in dummy discarding a club, draw trumps and then cash the diamonds which meant the ♣K could be ruffed in dummy for +450 and 82/4.

At matchpoints, cashing out to prevent over-tricks is one of the hardest things to do – here taking the ♣A would be worth 47/39.

## Board 21. Dealer North. N/S Vul.

♠ KJ8 ♥ 986 ♦ Q109432 ♣ A	<div style="border: 1px solid black; padding: 5px; width: 60px; margin: 0 auto;">                     N W     E S                 </div>	♠ A10962 ♥ K742 ♦ 65 ♣ 84	♠ 743 ♥ Q53 ♦ 8 ♣ KQ9765
------------------------------------	--	------------------------------------	-----------------------------------

West	North	East	South
-	1NT	2♥*	3♣
3♥	4♣	All Pass	
2♥	At least nine cards in the majors		

It looks obvious to support clubs, but there are only nine tricks and -100 is only 35/51. North's concentration of red suit honours suggests that passing is a better idea and if South then finds a double (trust me, I would) North will be happy to pass. After the obvious diamond lead South scores two trump tricks and +300 would be 76/10.

## Board 22. Dealer East. E/W Vul.

♠ J984 ♥ QJ7 ♦ J942 ♣ J10	<div style="border: 1px solid black; padding: 5px; width: 60px; margin: 0 auto;">                     N W     E S                 </div>	♠ Q105 ♥ 1064 ♦ 7653 ♣ A85	♠ 763 ♥ K952 ♦ KQ ♣ 9642
------------------------------------	--	-------------------------------------	-----------------------------------

West	North	East	South
-	-	Pass	2NT
Pass	3NT	All Pass	

With eight top tricks declarer needs to find one more. On a spade lead declarer wins in hand and ducks a diamond. After a second spade, a second diamond and a third spade declarer can duck a heart. West wins and will doubtless cash the long spade. Assuming East does not discard a club declarer will win the heart exit and cash the ♦A. By this stage it should be clear that East's shape is 3-4-2-4 so declarer will need to find West with his actual holding or ♣J9/♣109. A well-played +400 for 58.3/27.7.

You did remember to unblock dummy's ♣8 didn't you!

## Board 24. Dealer West. None Vul.

♠ 9 ♥ AJ763 ♦ 75 ♣ AK1086	<div style="border: 1px solid black; padding: 5px; width: 60px; margin: 0 auto;">                     N W     E S                 </div>	♠ 752 ♥ KQ85 ♦ KQJ62 ♣ 4	♠ AK ♥ — ♦ A109843 ♣ 97532
------------------------------------	--	-----------------------------------	-------------------------------------

West	North	East	South
1♥	Pass	2♦	3♠
4♣	Pass	4NT*	Pass
5♣*	Pass	6♣	All Pass

North led the ♦K so South's ruff meant -920 and only 15.4/70.6. Playing matchpoints North should probably risk a 2♦ overcall. Then it's anybody's guess as to where EW will finish up.



## If

Ron Tacchi

When you see a title that starts with 'If' then if you are like me two possibilities might spring to mind. Firstly the expression 'If butts and ands were pots and pans then there would be no work for tinkers'. The second is from the well-known poem 'If' by Rudyard Kipling which starts 'If you can keep your head when all about you are losing theirs and blaming it on you.' Translating these into a bridge situation the former might be representative of the conversation between two partners: 'If the  $\heartsuit K$  was onside and the trumps had split 3-3 then it would have been a good contract' 'Well they weren't and three off vulnerable doubled is not a good result.' The latter is a bridge situation of which we are well aware when partner, having made a succession of egregious defensive errors, then claims it was your fault as you made an indistinct signal at trick one.

We have all been victims of this situation. There is another famous line in Kipling's poem which is written on the players' entrance at the Centre Court at Wimbledon: 'If you can meet with Triumph and Disaster and treat those two impostors just the same.' As I struggle with coping with disaster at the bridge table, in spite of having plenty of practice, I am going to regale you with a board or two where we had triumphs.

### Board 2. Dealer East. N/S Vul.

$\spadesuit$ J9 $\heartsuit$ A10654 $\diamondsuit$ Q109 $\clubsuit$ AKJ	<table border="1" style="margin: auto;"> <tr><td></td><td>N</td><td></td></tr> <tr><td>W</td><td></td><td>E</td></tr> <tr><td></td><td>S</td><td></td></tr> </table>		N		W		E		S		$\spadesuit$ K76 $\heartsuit$ KJ7 $\diamondsuit$ AK8652 $\clubsuit$ 8	$\spadesuit$ 1054 $\heartsuit$ Q93 $\diamondsuit$ J $\clubsuit$ 1096432
	N											
W		E										
	S											
$\spadesuit$ AQ832 $\heartsuit$ 82 $\diamondsuit$ 743 $\clubsuit$ Q75												

West	North	East	South
	<i>Tacchi</i>		<i>Horton</i>
-	-	1 $\diamond$	1 $\spadesuit$
Pass	2 $\diamond$	Pass	2 $\spadesuit$
Pass	3NT	All Pass	

I freely admit that my 3NT bid may have been a trifle exuberant, but I allowed myself to hope that partner might have a trifle more than the absolute minimum he had promised. The contract is not without hope but does appear to need some fortune. The opening lead was a club which ran round to my king. When East failed to cover my  $\spadesuit J$  the contract was simple. Had East covered I would have ducked and relied on the spades breaking to get me to eight tricks but would still have needed a defensive error to allow me my ninth trick. Slightly surprisingly the way to make the contract is at trick two play a small heart from hand, what can East now do? If he plays diamonds he sets up a diamond trick and simultaneously extracts West's exit card. So you can now play the spades without allowing East into the lead. If he continues hearts then they become established and so you now have to make a diamond trick. Virtually the only distribution that will allow that is singleton jack in the West hand and so your recent spate of clean living pays dividends. I was spared the need for such mental agility as my simple, albeit, incorrect approach succeeded: 71 match-points out of a possible 86.

### Board 4. Dealer West. All Vul.

$\spadesuit$ AJ74 $\heartsuit$ A104 $\diamondsuit$ A63 $\clubsuit$ 1065	<table border="1" style="margin: auto;"> <tr><td></td><td>N</td><td></td></tr> <tr><td>W</td><td></td><td>E</td></tr> <tr><td></td><td>S</td><td></td></tr> </table>		N		W		E		S		$\spadesuit$ K10983 $\heartsuit$ 872 $\diamondsuit$ Q98 $\clubsuit$ 43	$\spadesuit$ Q65 $\heartsuit$ Q653 $\diamondsuit$ J2 $\clubsuit$ AKJ7
	N											
W		E										
	S											
		$\spadesuit$ 2 $\heartsuit$ KJ9 $\diamondsuit$ K10754 $\clubsuit$ Q982										

West	North	East	South
	<i>Tacchi</i>		<i>Horton</i>
1 $\clubsuit$	Pass	1 $\heartsuit$	Pass
1 $\spadesuit$	Pass	2 $\diamond^*$	Double
3NT	All Pass		
2 $\diamond$	fourth suit GF		





# XXIV Madeira Bridge Festival



Having paid close attention to the bidding I ventured the  $\spadesuit 8$  as my opening lead and was pleasantly surprised when it held the trick as did my continuation of  $\spadesuit Q$ . The third round was taken by declarer's ace, whilst partner played the ten from his remaining  $\spadesuit K107$ . Declarer now crossed to dummy with a club and played a small spade to his jack and my king. After a moment or two of reflection I switched to a heart. If partner has the  $\heartsuit A$  then the contract is down trivially, if declarer has it then partner has the guarded  $\clubsuit Q$ . The only possibility of a heart switch being incorrect is if West has  $\heartsuit AJ10/9$  but if this was the case South would not have played the  $\spadesuit 10$  on the third round. The hand now fell apart for declarer and after cashing two spade tricks took a losing club finesse and then discarded unwisely from dummy to finish four light for which he received one match-point. Declarer can escape for one down by playing a small spade towards the queen at trick four but he can never make his contract without considerable assistance from the defence.

West	North	East	South
-	<i>Tacchi</i>		<i>Horton</i>
Pass	1NT	Pass	2♥
Pass	2♠	Pass	3NT
Pass	4♠	All Pass	

I received the lead of the  $\heartsuit 8$  for  $\heartsuit 7$ ,  $\heartsuit J$  and  $\heartsuit A$ . If I am completely confident of the heart distribution and believe the trumps to be 2-2 I can make twelve tricks. But if I am wrong I could be held to ten tricks when I am pretty close to be certain of eleven tricks. Thus I immediately led a small diamond towards dummy and the nine forced the king. West switched to the queen of clubs now giving me the chance to make twelve tricks. I hopped up with the ace and took two rounds of trumps, noting with pleasure the 2-2 split. I now called for the  $\heartsuit 10$  which was covered by West and a ruff of a small heart gave me two discards of the losing diamonds in dummy and a dozen tricks and 79 match-points.

## Board 13. Dealer North. All Vul.

	$\spadesuit$ 987		
	$\heartsuit$ AK952		
	$\diamondsuit$ Q6		
	$\clubsuit$ AK7		
$\spadesuit$ 64		$\spadesuit$ 105	
$\heartsuit$ QJ63		$\heartsuit$ 84	
$\diamondsuit$ K4		$\diamondsuit$ A108752	
$\clubsuit$ QJ1043		$\clubsuit$ 862	
	$\spadesuit$ AKQJ32		
	$\heartsuit$ 107		
	$\diamondsuit$ J93		
	$\clubsuit$ 95		



**-10%**  
BARS

Except Lisboa Bar and Sabor a Mar Restaurant

**-10%**  
THALASSO SEA SPA

Except products

**25€**  
BUFFET DINNER

Ocean Restaurant  
(drinks included)






## Warm-Up Pairs

Ceri Pierce

The welcome cocktails were hosted on the lawn overlooking the sea at the Vidamar at sundown on Monday evening. An idyllic setting where one can mingle with one's fellow bridge players over a few drinks and nibbles before dinner. But, do not be fooled, it was the calm before the storm.... Later in the playing room, civilised behaviour was cast aside.

I have decided to write up two innocuous little deals from the warm-up pairs, as the other two bulletin staff were playing in this session. They will undoubtedly steal the limelight by writing up all the spectacular boards. Three Diamonds seemed to be the innocuous contract of the evening.

### Board 5. Dealer North. N/S Vul.

♠ A986 ♥ Q1075 ♦ J82 ♣ J6		♠ J2 ♥ 32 ♦ AKQ974 ♣ AK8	♠ K543 ♥ A986 ♦ 63 ♣ Q72
------------------------------------	---	-----------------------------------	-----------------------------------

West	North	East	South
<i>Steiger</i>	<i>Eggeling</i>	<i>Steiger</i>	<i>Bocker</i>
Pass	2♣*	Pass	2♥*
Pass	3♦	All Pass	
2♣ Strong but not game forcing			
2♥ Relay			

The ♣2 was led – this too may seem innocuous, but it proved to be critical later in the hand when Ron's Rule came into play.


East has eight tricks - 6 diamonds, 2 clubs; and just needs one more little trick. This can come by setting up a spade and/or guessing the heart position. However, our defenders were on the ball. Declarer drew trumps and led a spade. South hopped up with the ♠K and immediately led a heart through dummy's ♥KJx putting declarer to the test.

With no clues as to where the ♥A is, declarer inserted the jack and the ♥Q won, now a club return gave the defence 2 hearts, 2 spades and

a club. Another case for heeding the advice of our editor Ron's world champion advisor – if you need to locate the Ace, and there is no indication of where it is, assume it is in the hand of the player who made the opening lead. Harking back to the opening lead of a club, if Ron's Rule is followed, the ♥K should be inserted to make the contract. I will keep an eye out for more deals during the course of the tournament to corroborate this advice.

Well done to South for underleading the ♥A.

### Board 7. Dealer South. All Vul.

♠ 1084 ♥ K863 ♦ AQ72 ♣ 106		♠ Q65 ♥ Q105 ♦ KJ6543 ♣ 8	♠ AJ72 ♥ AJ74 ♦ — ♣ J9732
-------------------------------------	--	------------------------------------	------------------------------------

West	North	East	South
<i>Rasmussen</i>	<i>Eggeling</i>	<i>Kragh</i>	<i>Bocker</i>
–	–	–	1NT
Pass	3♣*	Double	3♦
Pass	Pass	Double	All Pass
3♣	transfer to diamonds		

East had fire in his loins after all the cocktails and doubled not just once but twice on his vulnerable 11 count. His partner judged well to pass and defend 3♦ at this vulnerability, rather than play in a much less exciting 3♥.

The play was equally feisty - the ♣10 lead was won by the king and declarer ran the ♦10, cashed ♣A and ♣K pitching a heart, then placed the ♦9 on the table. West took the ♦A and returned a heart, which was followed by a 2nd and then a 3rd heart, the ruff and discard not helping declarer's case. She ruffed the heart in dummy with the ♦5, crossed to the ♠K and played a third club which was ruffed by West and over-ruffed by dummy. When the smoke cleared the contract was 1 down, for -200 and a good pairs score.



## Tales From The Vienna Woods

Mark Horton

Looking for a pair to watch in the opening round of the Championship Pairs my gaze fell upon the powerful Austrians, Doris Fischer and Bernd Saurerer. Judge for yourselves how interesting the deals proved to be!

### Board 8. Dealer West. None Vul.

♠ AQ72 ♥ Q8 ♦ A102 ♣ 9643		♠ 95 ♥ 97532 ♦ QJ94 ♣ K10
♠ K ♥ AKJ6 ♦ K85 ♣ AQJ75		♠ J108643 ♥ 103 ♦ 763 ♣ 82

West	North	East	South
<i>Halkes</i>	<i>Fischer</i>	<i>Janssen</i>	<i>Saurer</i>
1♣*	Pass	1♦*	Pass
4♥	All Pass		
1♣	2+♣		
1♦	Hearts		

With an awkward hand to lead from North went with the ♣4 and declarer won with dummy's king, cashed the top hearts and could pitch dummy's spades on the clubs for +480 and 43/111.

Had North found the lead of the ♦A it would have been easy enough to cash the ♠A scoring 105/49.

### Board 9. Dealer North. E/W Vul.

♠ QJ7 ♥ 10873 ♦ A743 ♣ K5		♠ AK92 ♥ A942 ♦ — ♣ AQ764
♠ 64 ♥ J5 ♦ KQJ1082 ♣ 1098		♠ 10853 ♥ KQ6 ♦ 965 ♣ J32

West	North	East	South
<i>Sigurdsson</i>	<i>Fischer</i>	<i>Thorar</i>	<i>Saurer</i>
–	Pass	1♣*	Pass
1♦*	Pass	2♣	Pass
2♦	Pass	2♥	Pass
3♦	All Pass		
1♣	Precision		

1♦ Negative

North led the ♠Q and declarer played three rounds of the suit, ruffing, followed by the ♦K, North taking the ace and switching to the ♥7. South won with the queen and played the ♠10, but declarer ruffed high, cashed the ♦J and played the ♣10 to dummy's queen. He then cashed the ♥A and ruffed a heart, losing only three tricks, +130, 54.7/99.3.

### Board 10. Dealer East. All Vul.

♠ 5 ♥ AQJ853 ♦ KJ1043 ♣ Q		♠ AJ972 ♥ 109 ♦ Q985 ♣ 104
♠ KQ8643 ♥ K ♦ 7 ♣ 98632		♠ 10 ♥ 7642 ♦ A62 ♣ AKJ75

West	North	East	South
<i>Sigurdsson</i>	<i>Fischer</i>	<i>Thorar</i>	<i>Saurer</i>
–	–	Pass	1♦*
1♠	2♥	3♠	4♥
All Pass			
1♦	Precision, 2+♦		

West led the ♠A and switched to the ♦5, declarer winning with the ten, overtaking the ♣Q in dummy and playing a heart, +680, but only 68/86



# XXIV Madeira Bridge Festival



## Board 11. Dealer South. None Vul.

♠ 1096		♠ AK75									
♥ QJ85		♥ 3									
♦ K8765		♦ QJ103									
♣ 6		♣ KJ105									
♠ QJ843	<table border="1" style="display: inline-table; vertical-align: middle;"><tr><td></td><td>N</td><td></td></tr><tr><td>W</td><td></td><td>E</td></tr><tr><td></td><td>S</td><td></td></tr></table>		N		W		E		S		♠ 2
	N										
W		E									
	S										
♥ 1072		♥ AK964									
♦ 9		♦ A42									
♣ A972		♣ Q843									

West	North	East	South
<i>Horacek</i>	<i>Fischer</i>	<i>Karimi</i>	<i>Saurer</i>
-	-	-	1♥
Pass	3♦*	Double	Redouble
Pass	3♥	All Pass	
3♦	Bergen raise		

West led the ♦9 and declarer won with dummy's ace and played the ♣8, East winning with the ten, cashing the ♠A and then switching to the ♦Q. West ruffed and exited with the ♠Q and declarer ruffed and cashed the ♥A. At this point declarer has the rest by drawing the last trump, but he played a diamond and West's ruff meant +140 but only 147/7. The defenders can always hold declarer to nine tricks if East immediately plays a second diamond, the ♠A being the entry for a second ruff. However, East might have been better to bid 3♥ over 3♦. Then the spade game should be reached and -420 would be 71/83.

## Board 12. Dealer West. N/S Vul.

♠ J54		♠ 632									
♥ AQ		♥ 109854									
♦ K9854		♦ Q3									
♣ K74		♣ A95									
♠ Q1098	<table border="1" style="display: inline-table; vertical-align: middle;"><tr><td></td><td>N</td><td></td></tr><tr><td>W</td><td></td><td>E</td></tr><tr><td></td><td>S</td><td></td></tr></table>		N		W		E		S		♠ AK7
	N										
W		E									
	S										
♥ 74		♥ KJ82									
♦ J1072		♦ A6									
♣ Q82		♣ J1063									

West	North	East	South
<i>Horacek</i>	<i>Fischer</i>	<i>Karimi</i>	<i>Saurer</i>
-	1♦*	Pass	1♥
Pass	1NT	Pass	3NT
All Pass			
1♦	Precision, 2+♦		

East led the ♠3 and West won with the queen and returned the eight. Having won in dummy declarer played the ♣J for the eight, four and ace. Back came a spade and declarer won, unblocked the hearts and played two rounds of clubs. That gave the defenders four tricks, +600 for only 49/105. Having unblocked the hearts, declarer can cross to the ♦A and cash two more hearts pitching diamonds. Forced to hold on to two diamonds and two clubs West will have to pitch the long spade and can then be endplayed with two rounds of diamonds, forcing a lead into the split club tenace which is worth 97/57.

## Board 13. Dealer North. All Vul.

♠ A1072		♠ QJ84									
♥ 82		♥ AJ73									
♦ A82		♦ Q973									
♣ QJ82		♣ 10									
♠ -	<table border="1" style="display: inline-table; vertical-align: middle;"><tr><td></td><td>N</td><td></td></tr><tr><td>W</td><td></td><td>E</td></tr><tr><td></td><td>S</td><td></td></tr></table>		N		W		E		S		♠ K9653
	N										
W		E									
	S										
♥ K1054		♥ Q96									
♦ KJ104		♦ 65									
♣ AK974		♣ 653									

West	North	East	South
<i>Palma</i>	<i>Fischer</i>	<i>Barbosa</i>	<i>Saurer</i>
-	1♦*	Pass	1♠
Double	2♠	Double*	Pass
3♠*	Pass	4♥	All Pass
1♦	Precision, 2+♦		
Double Cards			

East's double was described as showing values and West did well to take his partner at his word. South led the ♠3 and declarer ruffed in dummy, cashed the ♣A, ruffed a club and played a diamond to the jack. North ducked that, won the next diamond and gave South a ruff, but declarer had the rest, +650 44.5/109.5.

If North resists the temptation to give partner a diamond ruff, calmly exiting with a low spade declarer cannot take more than ten tricks (and might even go down). One way to be sure of



# XXIV Madeira Bridge Festival



11 tricks as the cards lie is to play on diamonds immediately when the defenders should score only two tricks.

## Board 14. Dealer East. None Vul.

♠ 73 ♥ 3 ♦ Q109654 ♣ KQJ2	<table border="1" style="border-collapse: collapse; width: 60px; height: 60px; margin: auto;"> <tr><td style="text-align: center;">N</td></tr> <tr><td style="text-align: center;">W</td></tr> <tr><td style="text-align: center;">E</td></tr> <tr><td style="text-align: center;">S</td></tr> </table>	N	W	E	S	♠ A52 ♥ AK87 ♦ J73 ♣ 543	♠ QJ986 ♥ J9 ♦ K82 ♣ 986
N							
W							
E							
S							
♠ K104 ♥ Q106542 ♦ A ♣ A107							

West	North	East	South
<i>Palma</i>	<i>Fischer</i>	<i>Barbosa</i>	<i>Saurer</i>
–	–	Pass	1♥
3♦	4♥	All Pass	

West led the ♣K and declarer ducked, won the next club, cashed the ♦A, went to dummy with a heart, ruffed a diamond, went back to dummy with a second heart and ruffed the ♦J.

With everyone down to six cards declarer exited with the ♣10, hoping to find West with a doubleton spade honour. That meant he had to lose a third trick, +420, 75/79.

The route to the all-important overtrick is to cash the top spade before exiting with the ♣10. +450 would have scored 142/12.

You might care to calculate the potential match point difference that could have occurred on these 7 deals with perfect play and defence. It's a significant number!

## A MESSAGE FROM THE TOURNAMENT DIRECTORS

### STACKING BOARDS

Since we are using more sets of boards than usual to avoid sharing, it would be a great help to the TDs if you could stack the boards face down on the chair provided so that they are in the right order for the next round of dealing. Many thanks for your cooperation.





## Open Pairs Session 1 Results

Rank	Names
1	Florian Weiss - Louise Selway
2	Arjen Salari - Hans van Ommeren
3	Henrik Wegnelius - Bjorn Wenneberg
4	Nuno Paz - Carlos Luiz
5	Sveinn R Eiriksson - Magnus Eidur Magnusson
6	Diego Brenner - Miquel Teixeira
7	Tommy Bergdahl - Peter Görnandt
8	Gerbrand Hop - Yke Smit
9	Alan Bailey - Jette Bailey
10	Nick Nautilus - Francisco P Coutinho
11	Berend van den Bos - Tim van den Bos
12	Filipe Gonçalves - Malcolm Staallekker
13	Andreas Babsch - Peter Steiner
14	Margaret Nygren - Martin Nygren
15	George Schipper - Gerard Limmen
16	Gunnlaugur Saevarsson - Ómar Olgeirsson
17	Jon Inghthorsson - Kristinn Olafsson
18	Lena Leszczynska - Witold Stachnik
19	Adrians Imsa - Jurijs Balasovs
20	Thordur Sigurdsson - Gisli Thorarinnsson
21	Andrea Reim - Anne Gladiator
22	Magnus Thorkelsson - Matthias Einarsson
23	Rui Pinto - António Rocha Pinto
24	Maris Purgailis - Janis Romanovskis
25	Ulrike Schreckenberger - Berthold Engel
26	Martin Taylor - Justin Hackett
27	Helmut Haeusler - Michael Gromoeller
28	Harry Burmania - John Linse
29	Frederic Boldt - Paul Grünke
30	Axel Meuer - Mirja Schraeverus-Meuer
31	Irene Naegeli - Heinrich Naegeli
32	Luís M Silva - Bruno Macedo
33	Julius Sigurjonsson - Kauko Koistinen
34	Wubbo de Boer - Agnes Snellers
35	Marijke Justitz - Janine Benz
36	Kay Preddy - Norman Selway
37	Helmut Horacek - Omid Karimi-Müller
38	Vígfus Pálsson - Jorge Cruzeiro
39	João Machado - José Macedo
40	Rolf Tolle - Anne-Lill Hellemann
41	Juan Carlos Ventin - Herman Drenkelford
42	Kasper Konow - Lars Villinger
43	Margie Cole - Alejandro Bianchedi
44	António Campos Palma - João Vide Barbosa

45	Kevin Peeters - João Fanha
46	Henning Ostergaard - Christina Lund Madsen
47	Emil Buus Thomsen - Johanne Kofoed
48	Maria Tulonen - Lasse Utter
49	Egil Hansen - Svein-Harald Riinas
50	João Campos Ferreira - Miguel Lima
51	Han Begas - Lucia Grosmann
52	Alexander Smirnov - Sibrand van Oosten
53	Roennaug Asla - Svein Markussen
54	Matthias Schueller - Ralph Retzlaff
55	Christa Schraeverus - Matthijs Schraeverus
56	Dennis Bilde - Simon Cope
57	Kristin Oskarsdottir - Unnar Gudmundsson
58	Paulo Pinto - Ricardo Teixeira
59	Doris Fischer - Bernd Saurer
60	Bernóduð Kristinnsson - Ómar Óskarsson
61	Christian Lahrman - Flemming Poulsen
62	Volkert Struyken - Cees Rijnbeek
63	Maija Romanovska - Ilse Andersone
64	Koen Poppe - Cisca Vorselman
65	Emma Axelsdottir - David Ludviksson
66	Símon Sveinsson - Karl Bjornsson
67	Sebastian Reim - Guido Hopfenheit
68	Lone 'Mama' Kiaer - Jeppe Juhl
69	Marie Eggeling - Michael Böcker
70	Gitte Hecht-Johansen - Alex Hannon
71	Ronald Halkes - Loes Janssen
72	Frederico Teixeira - Ricardo Fernandes
73	Marcel Winkel - Dennis Kruis
74	Bengt Emanuelsson - Jan Clementsson
75	Andreas Westman - Patrik Eriksson
76	Jovanka Smederevac - Alexander Wernle
77	Cristina Steiger - Adolfo Steiger
78	Robbie de Koster - Eva Poppe
79	René Stienen - Elly Schippers
80	Peter Koppens - Anton Zegwaard
81	Frederic Wilt - Espen Haugstad
82	Gareth Bartley - Jutta Bartley
83	Peter-Paul Worm - Hans Metselaar
84	Birgit Bärlund - Johan Lindstedt
85	Carlos Gonçalves - Eduardo Pinto
86	Mike Reuser - Peter Dekker
87	Grazyna Schoahs - Anja Alberti
88	Marie-José de Bruine - Mieke Jonker
89	Adalsteinn Jörgensen - Svala K Palsdottir



# XXIV Madeira Bridge Festival



90	Astrid Steen Lybak - Erik Boelviken
91	Robert Boeddeker - Flora Zarkesch
92	Eduardo Fernandes - Pedro Morgado
93	João Paulo Rocha Pinto - Claudio Andrade
94	Nis Rasmussen - Jesper Kragh
95	Andrei Kavalenka - Igor Kravchenko
96	Maria Kroppa - Lech Zwirello
97	Birgir Olafsson - Gudni Ingvarsson
98	Chris Westerbeek - Rens Philipsen
99	Eeva Parvianinen - Olli Jalonen
100	Marco Zomer - Frank van Gool
101	David Wrang - Frederik Wrang
102	Pedro Salgueiro - Nuno Baltazar
103	Magnus Asgrimsson - Thorsteinn Bergsson
104	Marloes van Heist - Pim Vermeulen
105	Christiane Kowarik - Elisabeth Wälchli
106	Karl Gretar Karlsson - Johann Aevarsson
107	Erkki Juuri-Oja - Pirjo Juuri-Oja
108	Haakan Tjarnemo - Pierre Carbonnier
109	Svein Erik Dahl - Bjorn Sture Valen
110	Ernst Hopstaken - Frank van Gorp
111	Marcel Swidde - Tim Heeres
112	Tomas Ruth - Knut Kiste
113	Pia Petaja - Haldis Guttormsen
114	Justin van der Kam - Rob van den Bergh
115	Rosemarie Roderburg - Sybil Müller-Maubach
116	Hanneke Kreijns - Betty Speelman
117	Ingrid Ledertoug - Lisbeth Smed
118	Agnes Wesseling - Niels van der Gaast
119	Rosemary Shaw - Stefán Jónsson
120	Anna Nielsen - Aron Thorfinsson
121	Susan Just - Poul Mogensen
122	9885 - 9886
123	Nikolas Bausback - Kurt Kaellstroem

124	Mirjam Abraham - Michael Pauly
125	Sophie Leroux - Francis Gouffé
126	Kathryn Hertz - Eckhard Böhlke
127	Manuel Capucho - Maria João Lara
128	Renate Adelsberger - Heimo Adelsberger
129	Sveinn Ragnarsson - Sigurdur Jón Björgvinsson
130	Miguel Sarmiento - Isabel Sarmiento
131	Barbara Von Kleist - Sabine Würdermann
132	Seija Lahtinen - Jussi Angervo
133	Jonina Palsdottir - Sveinn Símonarson
134	Sigurdur Gislason - Ragnar Thorvaldson
135	Monika Luy - Jan Sohl
136	Vigfus Vigfusson - Johanna Gisladottir
137	Lise Reimann - Marianne Mathiesen
138	Patrick Goor - Petra Erne
139	Sonja Bech - Mette Sand
140	Lars Carlsson - Leif-Erik Forsberg
141	Paul van den Bos - Johann Bouman
142	Bjarni Holm Hauksson - Eiríkur Rosberg Areliusson
143	Hrefna Hardardottir - Haukur Magnusson
144	Outi Forsman - Hilikka Piepponen-Kajaste
145	Manuela Turcsanyi - Terry Weigkricht
146	Conny ten Cate - Jan ten Cate
147	Ko Ravenhorst - Joop Stronks
148	Hilde Volla - Hege Marie Salseng
149	Gerwin Middelkoop - Marco S Teixeira
150	Didier Imbert - Latifa Ouazanni
151	Margarida Alves Correia - Eduardo de Soveral
152	Margarida Machado - António Peixoto
153	Knud Flensted-Jensen - Camilla Flensted-Jensen
154	Reyk Schaefer - Joey Deutsch
155	Keith Jones - Mary Sharp
156	Virve Berg - Ullamaija Kiiski
157	Daniel Brandgaard - Niels Steenstrup Zeeberg

## Availability of Bulletins

Normally bulletins will be available at breakfast in the Ocean Restaurant of the Hotel VidaMar. Copies will also be found at the Welcome Desk and below the results screen. A short while before events commence in the Congress Center they will also be available there. The one place you will not find a bulletin is in the Bulletin Office as we will have distributed all of our copies as above.



# XXIV Madeira Bridge Festival



## OUR SPONSORS



**FUNCHAL CITY COUNCIL:** Our local City Council, based in the palace built in 1758 by the Counts of Carvalhal. The Council provides a vast range of services to residents and visitors alike.

**MADEIRA TOURISM:** The Tourism Board for the Madeira Archipelago. On their website you will find information about events and activities, transport and accommodation in Madeira and Porto Santo. There is a link to subscribe to the tourism newsletter.



**APM – MADEIRA PROMOTION BUREAU:** The association which coordinates the promotion of Madeira as a destination to the domestic and international markets.

**DRJD – REGIONAL DIRECTORATE OF YOUTH & SPORT:** The arm of the regional government responsible for summer camps, internet cafés, youth associations, volunteering and many other youth programmes.



**MC COMPUTERS:** Acknowledged leader in the regional IT market, developing and managing technology projects for the biggest public and private clients.

**NOS MADEIRA:** Portuguese media and communications company with a regional base in Madeira, leader in cable television distribution. NOS is also the home-video distributor for Walt Disney Pictures, Warner Bros., DreamWorks and Paramount Pictures releases in the Portuguese market, alongside launching several independent and European titles.



**ECM – MADEIRA BREWERY:** Established in 1872 and the largest producer and distributor of beverages in the region, ECM manufactures, markets and distributes its own brands of beers, soft drinks and water, and also represents major brands in other products categories (spirits, wines, juices and nectars, waters, milks, olive oils, vinegars and sauces).

**VIDAMAR RESORT MADEIRA:** Our beautiful venue for the International Bridge Open, VidaMar Resort Madeira is one of three 5-star resorts in the hotel chain. The Madeira Resort has outstanding facilities, including the Thalasso Sea Spa, and direct access to the Atlantic Ocean.

